

## RESOLUTION AND FPS

Min FPS: 35			Approx. Record Time (Seconds)		
Width*	Height	Max FPS	16 GB RAM	32 GB RAM	64 GB RAM
1920	1080	3,600	2.3	4.6	9.2
1920	800	4,850	2.3	4.6	9.2
1920	720	5,380	2.3	4.6	9.2
1920	480	8,060	2.3	4.6	9.2
1920	320	12,000	2.3	4.6	9.3
1920	120	31,400	2.4	4.7	9.4
1920	64	57,100	2.4	4.8	9.6
1920	32	107,300	2.5	5.0	10.1
1920	16	191,700	2.7	5.5	11.0
1280	1024	3,790	3.4	6.9	13.8
896	600	6,450	4.9	9.9	19.8
640	480	8,060	6.9	13.8	27.7
320	240	15,000	17.4	34.8	69.6



## SAMPLE APPLICATIONS



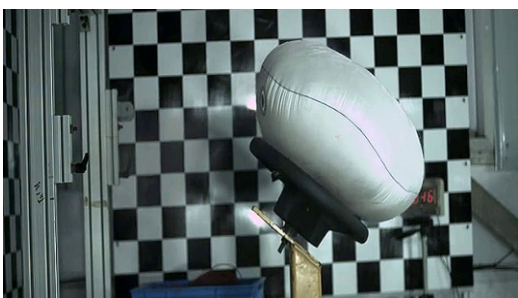
Aerospace



Aerospace



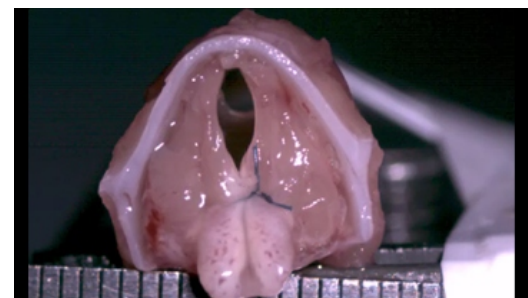
Automotive Testing



Automotive



Drop Test



Biology Study

## The Most Productive High Speed Camera In It's Class



### **MS140K model shown with 32 GB camera body, "C" & "F" mount fronts and on-camera Mega Speed monitor**

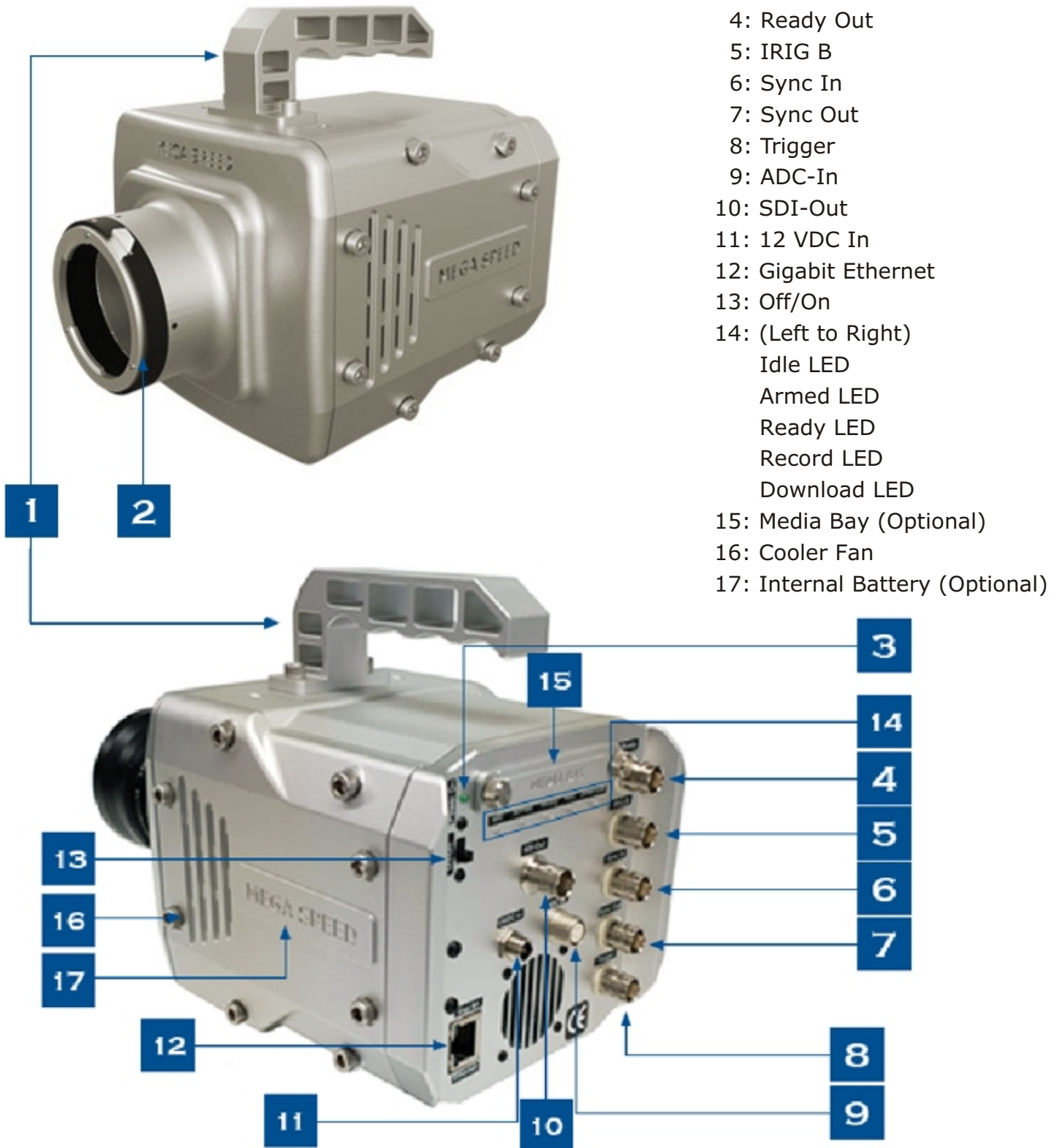
Mega Speed high speed cameras continue to offer the world's high speed imaging customers with some of the most productive high speed camera designs available. A camera design providing the customer with the very best features and prices available

Mega Speed cameras are suitable for a wide range of applications. These high-speed cameras are suitable on the test range, in the R&D test lab or for use in that critical application where a dependable camera is needed to capture that all important test video. A camera with automatic high speed file back-up to it's on-board removable solid state drive. Permanently saving the recent test video.

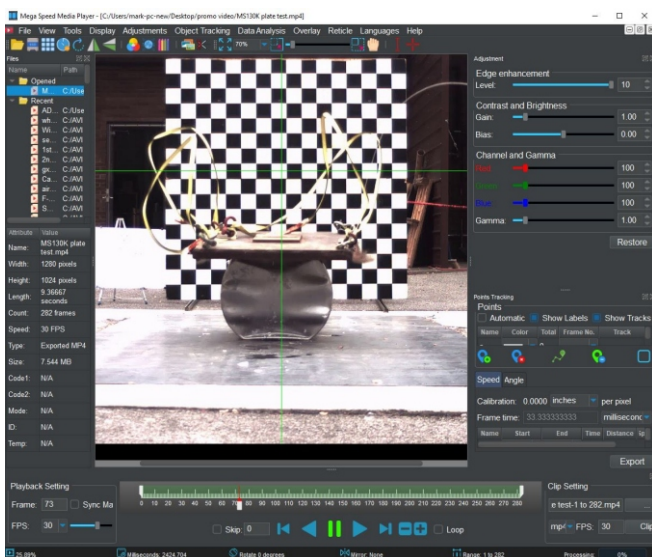
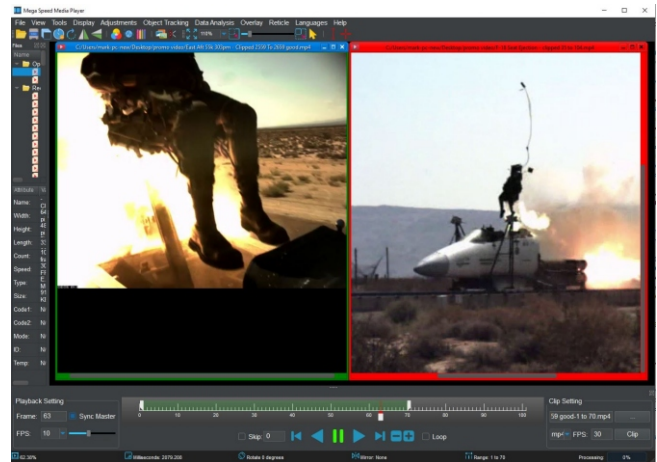
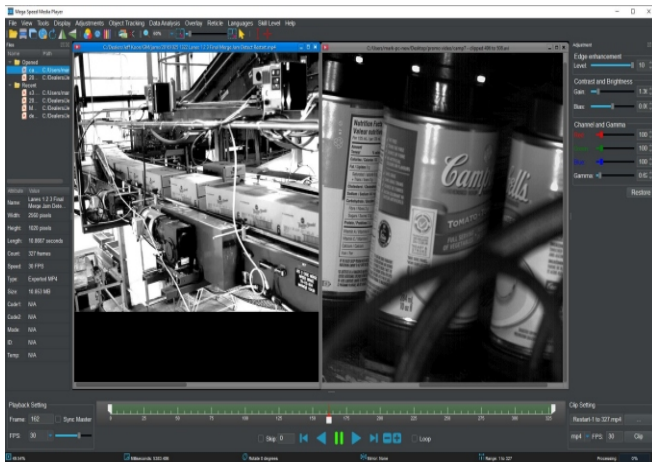
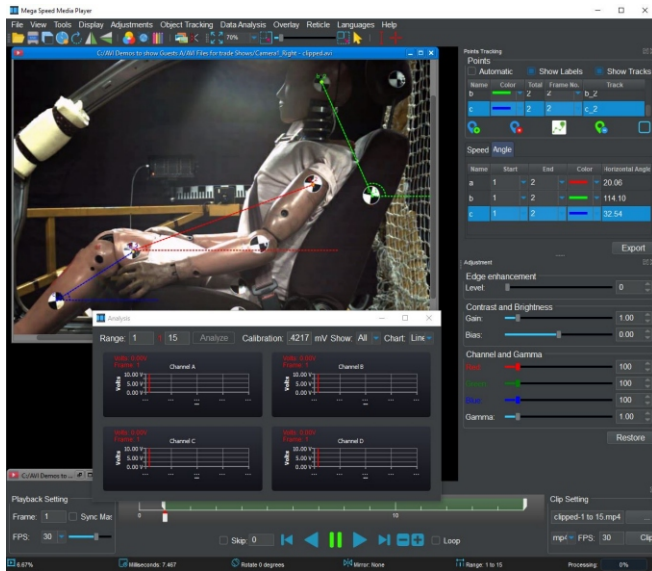
Mega Speed high speed cameras have optional standout features such as high write speed removable solid state drives which are accessible through the camera's rear media bay. The removable drives offer data security as well as easy drive removal when replacements are required.

Standard onboard multi channel data acquisition module is ready to synchronize test data with your high speed image data offering a clear understanding and interpretation of the test video.

Contact us today to arrange a demonstration of our outstanding high speed camera models.







**Making Sense Of Your High Speed Image Data. The Included Mega Speed Media Player!**

**New Tools To Measure, Synchronize, Batch Process, Clip And Compress. The Fastest Video Analysing Work-Flow Available. Helping You Make Sense Of All Your High Speed Image Data. \$1995.00 Value free with every Mega Speed Camera.**

# MEGA SPEED MS140K SPECIFICATIONS

<b>Sensor Specifications And Exposure Control</b>	<ul style="list-style-type: none"> <li>▪ CMOS 4/3 image sensor. Available in either monochrome or color versions</li> <li>▪ 1920 x 1080 pixels maximum resolution</li> <li>▪ 1920 x 8 pixels minimum resolution</li> <li>▪ 3600 fps maximum speed at 1920 x 1080 pixels</li> <li>▪ Image size is software adjustable in 128 x 2 segments</li> <li>▪ 10 µm x 10µm pixel format</li> <li>▪ Software adjustable global shutter down to 2 µs in 1 µs step</li> <li>▪ Automatic electronic exposure control or manual exposure control</li> <li>▪ Spectral response is 400nm to 1000nm peaking at 550nm</li> <li>▪ Forced air cooled sensor with heat sink</li> <li>▪ ISO comparative value is 10,000 for monochrome sensors</li> <li>▪ ISO comparative value is 5,000 for color sensors</li> <li>▪ 8 bit and 10 bit pixel bit depth</li> <li>▪ Average full well capacity 20,000e</li> </ul>
<b>Trigger Options</b>	<ul style="list-style-type: none"> <li>▪ 3.3 VDC to 24 VDC via BNC trigger jack Optional 3.3VDC to 48 VDC extended range</li> <li>▪ 3.3 VDC Mega Speed trigger box Optional equipment</li> <li>▪ Dry contact trigger control Optional</li> <li>▪ Software controlled manual trigger</li> <li>▪ Software controlled automatic trigger</li> <li>▪ Multiple start/stop trigger mode with auto stop when camera memory is full</li> <li>▪ Pre/post trigger mode with full scale pre and post segment adjustment</li> <li>▪ Segmented trigger mode with exposure, frame rate, file length &amp; next segment control</li> <li>▪ Single sequence trigger mode</li> </ul>
<b>Time Source And Synchronization</b>	<ul style="list-style-type: none"> <li>▪ By internal PC clock</li> <li>▪ By external IRG time clock to camera IRIG BNC - user supplied</li> <li>▪ Sync in to BNC connector from external clock source or master camera</li> <li>▪ Sync out from BNC connector from pass through sync source or frame time</li> <li>▪ Sync in to BNC connector from external IRIG source - user supplied</li> <li>▪ 10 ns accurate time propagation delay</li> <li>▪ 3.3 VDC ready out signal when camera is in armed status via ready BNC</li> </ul>
<b>Camera Inputs</b>	<ul style="list-style-type: none"> <li>▪ IRIG BNC connector</li> <li>▪ Sync in BNC connector</li> <li>▪ Multi channel data acquisition analog to digital connector for 0 to 10 VDC levels</li> <li>▪ Multi channel field input connector for field data</li> <li>▪ DC power supply jack</li> <li>▪ Marker BNC connector for frame tagging</li> <li>▪ 1 Gigabit 45 jack for Gigabit camera control Optional NBASE2.5 Ethernet connection</li> </ul>
<b>Camera Outputs</b>	<ul style="list-style-type: none"> <li>▪ Ready out BNC connector</li> <li>▪ Sync out BNC connector</li> <li>▪ SDI video out BNC connector</li> <li>▪ Idle status LED</li> <li>▪ Armed status LED</li> <li>▪ Ready status LED</li> <li>▪ Recording status LED</li> <li>▪ Download status LED</li> <li>▪ Power on status LED</li> <li>▪ Battery charge status LED Optional when equipped with internal battery backup</li> </ul>
<b>Video Output</b>	<ul style="list-style-type: none"> <li>▪ Live stream to PC via Gigabit connection</li> <li>▪ 1920 x 1080 SDI 60 fps Optional</li> </ul>
<b>Camera Input Protection</b>	<ul style="list-style-type: none"> <li>▪ Reverse input voltage protection</li> <li>▪ Optically isolated camera inputs</li> <li>▪ ESD circuitry protection</li> <li>▪ EMI shielding</li> <li>▪ Camera temperature watch dog</li> <li>▪ Camera voltage level indicator</li> </ul>

# MEGA SPEED MS140K SPECIFICATIONS

	<ul style="list-style-type: none"> <li>Auto re-boot and re-arm on power failure</li> </ul>
<b>Memory</b>	<ul style="list-style-type: none"> <li>32GB internal SD RAM recording buffer</li> <li>High Speed re-moveable SSD <b>Optional. 256 GB, 512 GB or 1TB</b></li> </ul>
<b>Camera Firmware</b>	<ul style="list-style-type: none"> <li>Remote on-site firmware upgrade feature</li> </ul>
<b>Record Times</b>	<ul style="list-style-type: none"> <li>4.6 seconds at 1920 x 1080, 8 bit depth</li> <li>Stream time lengths to camera SSD are frame rate and image size dependant</li> </ul>
<b>PC Software Control</b>	<ul style="list-style-type: none"> <li>Mega Speed Camera Control</li> <li>Windows 10</li> <li>Software control for all camera functions (frame rate, exposure time, image size etc)</li> <li>Record to internal SDRAM or internal or external solid state drives</li> <li>Real time streaming to internal or external solid state drives</li> <li>Download rate control</li> <li>Auto-download and re-arm for next event</li> <li>Frame time, event and settings stamping</li> <li>Trigger glitch detection to remove false triggers</li> </ul>
<b>Video Editing Software</b>	<ul style="list-style-type: none"> <li>Mega Speed AVI Player</li> <li>Video playback and review</li> <li>Video file clipping and merging</li> <li>Vertical and horizontal cross hair reticules</li> <li>Thumbnail view</li> <li>MP4 video compression engine to compress edited files and for file sharing</li> <li>Gamma, white balance</li> <li>Image cropping</li> <li>Image rotation</li> <li>Image export to JPEG, BMP, TIFF, DNG, AVI, H.264, MP4, RAW, MSV, PDF</li> <li>Compatible with other vendors software</li> <li>Video playback time base adjustment tool</li> <li>Basic object tracking , velocity and distance measurement</li> <li>Multi channel data analysis tools synchronized to video file</li> <li>Image overlay grid</li> </ul>
<b>PC Requirements</b>	<ul style="list-style-type: none"> <li>Modern day PC running Windows 10</li> <li>500GB minimum hard drive</li> <li>8 GB PC RAM</li> <li>1 GB Ethernet chip-set</li> <li>1 RJ 45 connection for GB connection to camera</li> <li>USB 2.0/3.0 USB ports for SATA dock cable</li> <li>CAT6 cable for camera connection</li> <li>17" 1920 x 1080 monitor resolution</li> </ul>
<b>Lens Mount</b>	<ul style="list-style-type: none"> <li>Nikon F mount <b>Optional C mount, Canon, Pentax, etc.</b></li> </ul>
<b>Camera Size</b>	<ul style="list-style-type: none"> <li>4.5" x 4.9" x 7.35"</li> </ul>
<b>Camera Weight</b>	<ul style="list-style-type: none"> <li>4 lbs</li> </ul>
<b>Camera Body / Structure</b>	<ul style="list-style-type: none"> <li>Machined aluminum frame anodized hard coat natural finish for low solar load.</li> <li>Compact efficient modern design</li> <li>Vented side ribs</li> <li>Heat sink and forced air cooling</li> <li>Convenient detachable top mount handle</li> <li>Convenient quick attach BNC and multi-pin rear connections</li> <li>Full function camera status LED indicators</li> </ul>
<b>Camera Mounts</b>	<ul style="list-style-type: none"> <li>5 -bottom 1/4 x 20 tpi, threaded, 2 top 1/4 x 20 tpi both threaded 0.250 down</li> </ul>
<b>Camera Power Requirements</b>	<ul style="list-style-type: none"> <li>12 VDC 25 watts</li> <li>10 VDC to 36 VDC <b>Optional</b></li> <li>Internal battery <b>Optional</b></li> </ul>
<b>Temperature / Shock Rating</b>	<ul style="list-style-type: none"> <li>-5°C - to +40°C. 50G, 10ms, half sine wave, 4 axis, repeated. <b>Optional 100G</b></li> </ul>
<b>Frame Rates</b>	<ul style="list-style-type: none"> <li>3600 fps @ 1920 x 1080. 4.6 seconds record time</li> </ul>

# MEGA SPEED MS140K SPECIFICATIONS

	<ul style="list-style-type: none"> <li>▪ 3785 fps @ 1280 x 1024      6.8 seconds record time</li> <li>▪ 4850 fps @ 1280 x 800      6.8 seconds record time</li> <li>▪ 5365 fps @ 1280 x 720      6.8 seconds record time</li> <li>▪ 8000 fps @ 640 x 480      13.8 seconds record time</li> <li>▪ 15,750 fps @ 320 x 240      28.2 seconds record time</li> <li>▪ 28,722 fps @ 128 x 128      72.4 seconds record time</li> <li>▪ * Note: Maximum speed is only affected by image height. 1920x128 can also be captured at 28,722 fps</li> </ul>
<b>Included In the Box</b>	<ul style="list-style-type: none"> <li>▪ Camera</li> <li>▪ Camera handle</li> <li>▪ BNC patch cables and tees</li> <li>▪ 15' CAT 6 Ethernet cable</li> <li>▪ Camera brick power supply</li> <li>▪ Camera control software</li> <li>▪ AVI player software</li> <li>▪ Training videos</li> <li>▪ Foam lined hard protective and storage case</li> <li>▪ Installation CD with install software and owner's manual</li> </ul>
<b>Available As An Option</b>	<ul style="list-style-type: none"> <li>▪ Color or monochrome image sensor</li> <li>▪ Extended 3.3VDC to 48 VDC trigger input range</li> <li>▪ 3.3 VDC Mega Speed trigger box</li> <li>▪ Dry contact trigger control</li> <li>▪ NBASE 2.5 Ethernet connection</li> <li>▪ Internal battery and charge status LED</li> <li>▪ 1280 x 720 SDI 60 fps</li> <li>▪ Solid state drive size (240 GB, 512GB or 1TB)</li> <li>▪ F mount for Nikon, Canon, Pentax</li> <li>▪ Internal battery back up</li> <li>▪ 10VDC to 36 VDC supply voltage</li> <li>▪ Internal battery</li> <li>▪ ADC patch cable</li> <li>▪ Lenses with various focal lengths</li> <li>▪ Tri-pod</li> <li>▪ LED work lights</li> <li>▪ Hi G-Force cables and connectors</li> </ul>
	Specifications and option availability subject to change without notice. Confirm with your sales representative before placing an order

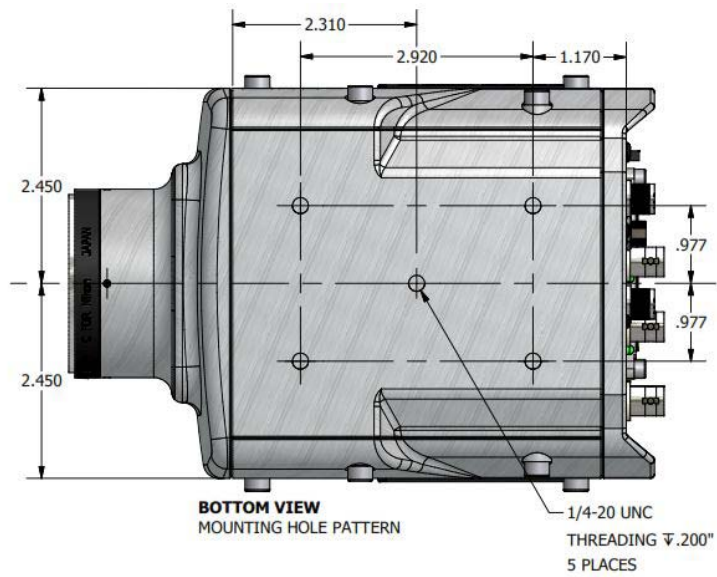
**Notes:** Available options are high-lighted in **GRAY** color.



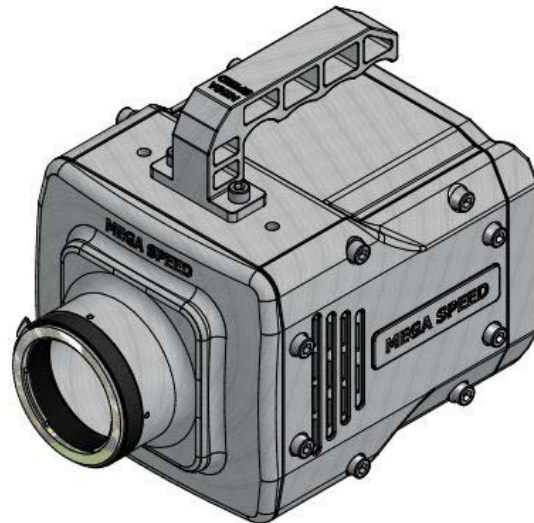
# MEGA SPEED MS140K SPECIFICATIONS

---

## Mechanical Dimensions



ISOMETRIC BOTTOM RIGHT



ISOMETRIC TOP RIGHT